

# EBK-H SOFT

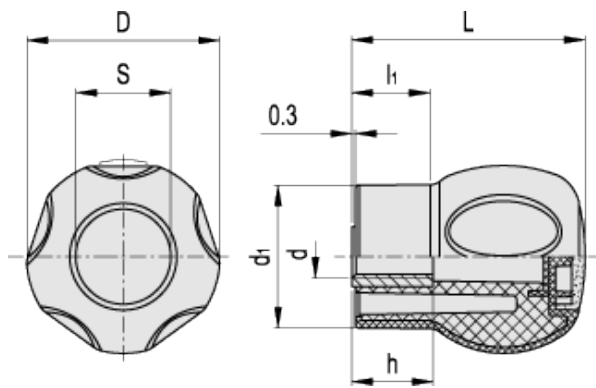


Handles with magnifying lens



ELESA Original design

ERGOSTYLE® SOFT



## technical informations

### Material

High-resilience polypropylene based (PP) technopolymer, coated with "soft-touch" thermoplastic elastomer (TPE) chemically bonded, hardness 70 Shore A.

The coating material is certified in compliance with FDA (U.S. Food and Drug Administration).

Resistant to solvents, oils, greases and other chemical agents.

### Colour

Black, matte finish.

### Magnifying lens

Transparent polyamide based (PA-T) technopolymer. Resistant to solvents, oils, greases, petrol and other chemical agents (avoid contact with alcohol). Press-fit assembly. It improves the visibility of the labels.

### Standard execution

Brass boss, threaded hole.

### Features and applications

Handles coated with "soft-touch" elastomer: it improves the grip even in the presence of oils, greases and sweat from the hand. Particularly suitable for applications on fitness machines, tools and machines for gardening and goods transport, high-precision instruments and disability aids.

*Accessories on request*

Self-adhesive labels MA, with standard marks and symbols to be ordered separately.

*Label assembly instructions*

Stick the self-adhesive label (printed on the adhesive side) to the inner surface of the magnifying lens by pressing from the centre to the external side to avoid air bubbles. Assemble the magnifying lens to the handle face recess by gently tapping with a wooden or plastic mallet, until firmly in place. The label is therefore protected by the watertight magnifying lens.

Standard Elements		Main dimensions					Mounting hole		Weight
Code	Description	D	L	d <sub>1</sub>	l <sub>1</sub>	S	d <sub>6H</sub>	h	g
245104	EBK.43 B-M8-H-SOFT	43	53.5	32.5	17.5	20	M8	10	72
245106	EBK.43 B-M10-H-SOFT	43	53.5	32.5	17.5	20	M10	10	71
245204	EBK.50 B-M8-H-SOFT	50	60	37	20	25	M8	20	85
245206	EBK.50 B-M10-H-SOFT	50	60	37	20	25	M10	20	82
245208	EBK.50 B-M12-H-SOFT	50	60	37	20	25	M12	20	80

This product had the following design awards:



ELESA models all rights reserved in accordance with the law. Always mention the source when reproducing our drawings.

**STANDARD MACHINE ELEMENTS WORLDWIDE**